

Department of Mechanical Engineering
(Established in 2002)



M-TECH (MACHINE DESIGN)

Laboratory Manual

For

M. Tech - II Sem
ADVANCED COMPUTER AIDED MODELLING
LAB- 83208

Academic Year 2019-20



Malla Reddy Engineering College
(Autonomous)



(An Autonomous institution, Autonomy granted by UGC and affiliated to JNTUH, Accredited by NAAC with 'A' Grade, Accredited by NBA (2008-11) & Recipient of World Bank Assistance under TEQIP phase – II S.C.1.1 for the period (2011-14))
Maisammaguda, Dhulapally (Post. Via. Kompally), Secunderabad – 500 100.

List of Experiments	Page
1. Study of limits, tolerances and fits.	3
2. Study of fundamental calculations of shaft deviations.	18
3. Sketching the necessary views of fast and loose pulleys.	24
4. Sketching the necessary views of V-belt pulleys.	25
5. Sketching the necessary views of bevel gears.	26
6. Sketching the necessary views of worm gearing.	27
7. Part modelling and assembly of steam engine connecting rod end.	28
8. Part modelling and assembly of rotary gear pump.	29
9. Part modelling and assembly of using fuel injector.	31
10. Part modelling and assembly of tail stock.	33
11. Part modelling and assembly of non-return valve (light duty).	35
12. Part modelling and assembly of Rams bottom safety valve.	37

Exp: 1

STUDY OF SYSTEM OF LIMITS, FITS, TOLERANCE

Limits & Fits: Why study Limits & Fits?

- Exact size is impossible to achieve.
- Establish boundaries within which deviation from perfect form is allowed but still the design intent is fulfilled.
- Enable interchangeability of components during assembly

Definition of Limits:

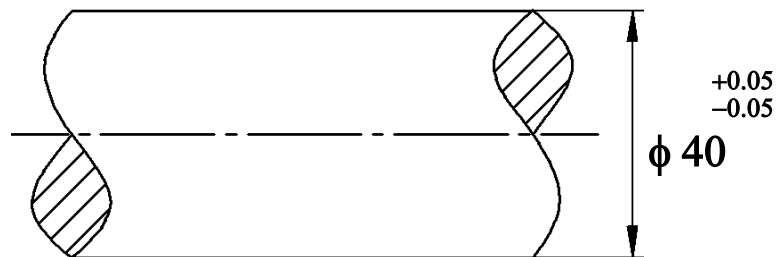
The maximum and minimum permissible sizes within which the actual size of a component lies are called Limits.

Tolerance:

It is impossible to make anything to an exact size, therefore it is essential to allow a definite tolerance or permissible variation on every specified dimension.

Why Tolerances are specified?

- Variations in properties of the material being machined introduce errors.
- The production machines themselves may have some inherent inaccuracies.
- It is impossible for an operator to make perfect settings. While setting up the tools and workpiece on the machine, some errors are likely to creep in.



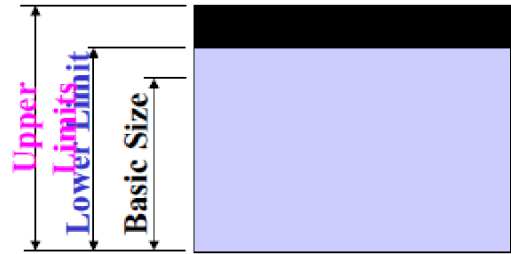
Consider the dimension shown in fig. When trying to achieve a diameter of 40 mm (Basic or Nominal diameter), a variation of 0.05 mm on either side may result.

If the shaft is satisfactory even if its diameter lies between 40.05 mm & 39.95 mm, the dimension 40.05 mm is known as Upper limit and the dimension 39.95 mm is known as Lower limit of size. Tolerance in the above example is $(40.05-39.95) = 0.10$ mm

Tolerance is always a positive quantitative number.

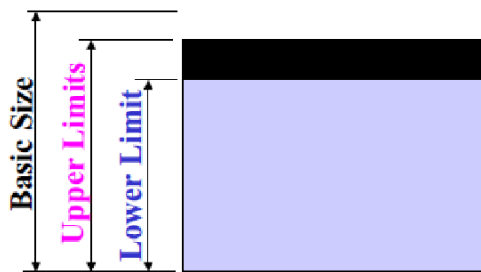
Unilateral Tolerance:

- Tolerances on a dimension may either be unilateral or bilateral.
- When the two limit dimensions are only on one side of the nominal size, (either above or below) the tolerances are said to be unilateral.
- For unilateral tolerances, a case may occur when one of the limits coincide with the basic size.



e.g. $\text{Ø}25^{+0.18}_{+0.10}$

Basic Size = 25.00 mm
 Upper Limit = 25.18 mm
 Lower Limit = 25.10 mm
 Tolerance = **0.08 mm**

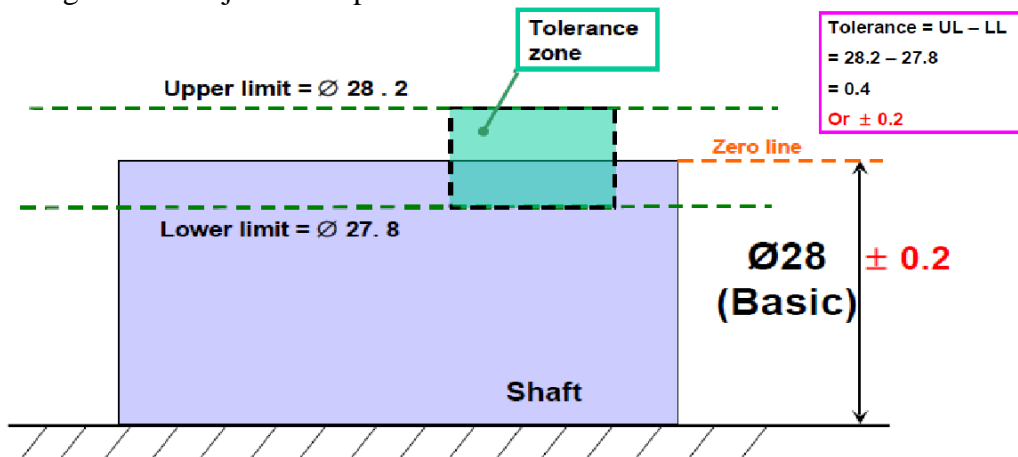


e.g. $\text{Ø}25^{-0.10}_{-0.20}$

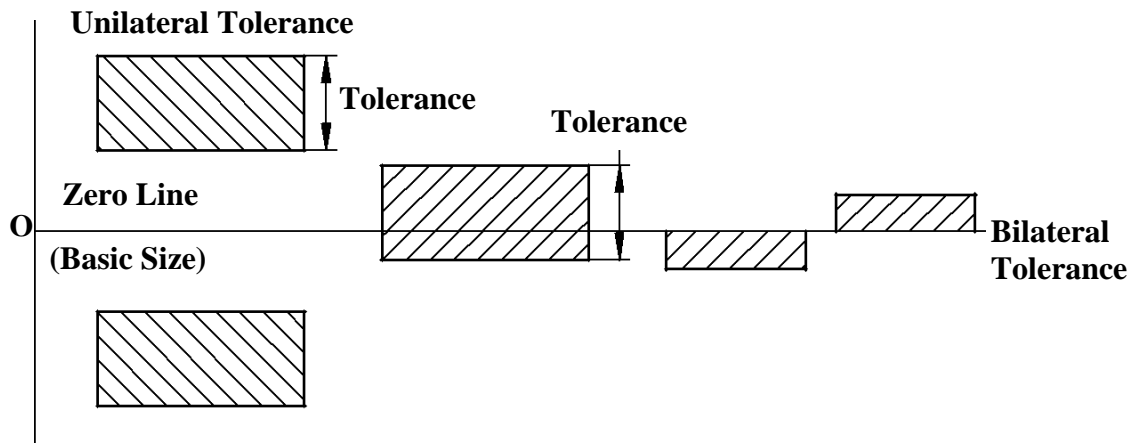
Basic Size = 25.00 mm
 Upper Limit = 24.90 mm
 Lower Limit = 24.80 mm
 Tolerance = **0.10 mm**

Bilateral Tolerance: When the two limit dimensions are above and below nominal size, (i.e. on either side of the nominal size) the tolerances are said to be bilateral.

Unilateral tolerances, are preferred over bilateral because the operator can machine to the upper limit of the shaft (or lower limit of a hole) still having the whole tolerance left for machining to avoid rejection of parts.



Schematic representation of tolerances:



Tolerance Accumulation (or) Tolerance Build up:

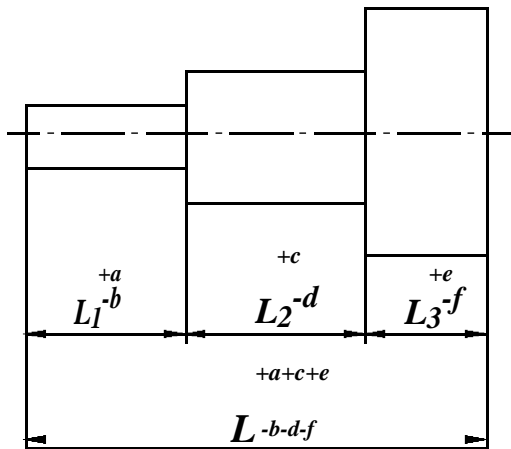


Fig (a)

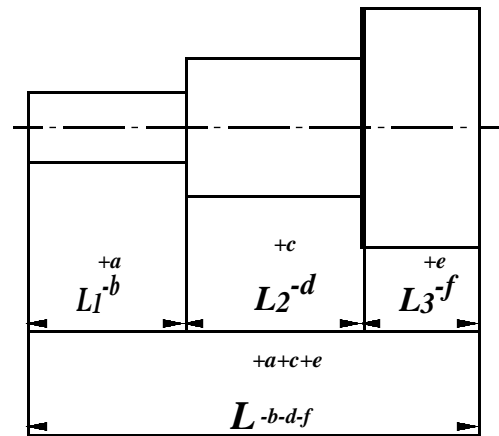
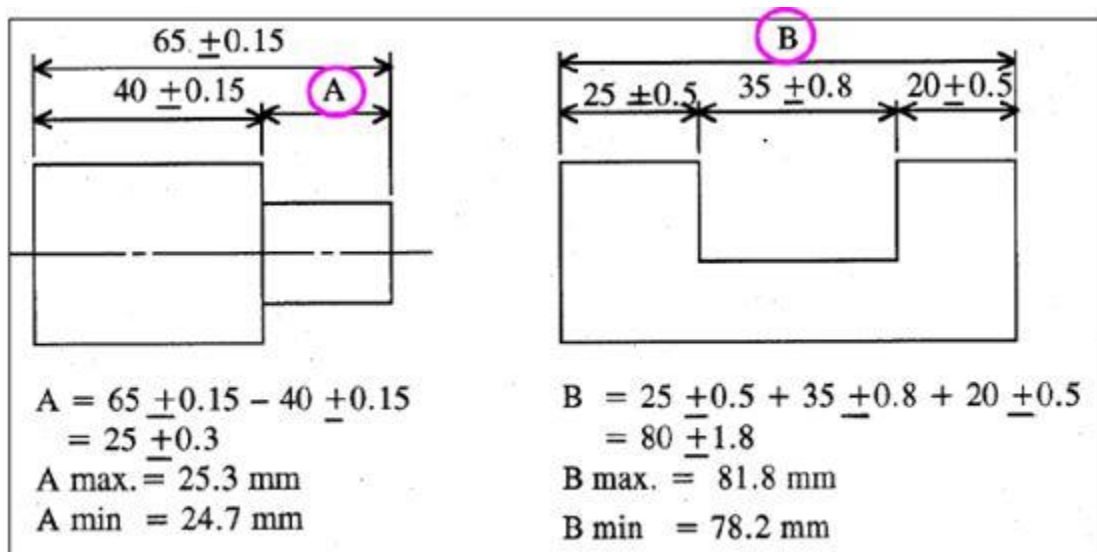


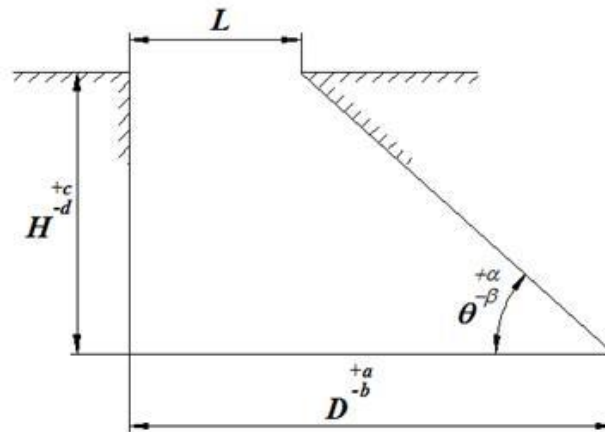
Fig (b)

If a part comprises of several steps, each step having some tolerance specified over its length, then the overall tolerance on the complete length will be the sum of tolerances on individual lengths as shown in fig (a).

The effect of accumulation of tolerances can be minimized by adopting progressive dimensioning from a common datum as shown in fig (b). Another example of tolerance build up is shown below.



Compound Tolerances: A compound tolerance is one which is derived by considering the effect of tolerances on more than one dimension.



For ex, the tolerance on the dimension L is dependent on the tolerances on D , H & θ .

The dimension L will be maximum when the base dimension is $(D+a)$, the angle is $(\theta+a)$, and the vertical dimension is $(H-d)$.

The dimension L will be minimum when the base dimension is $(D-b)$, the angle is $(\theta-b)$, and the vertical dimension is $(H+c)$.

LIMITS OF SIZE & TOLERANCE

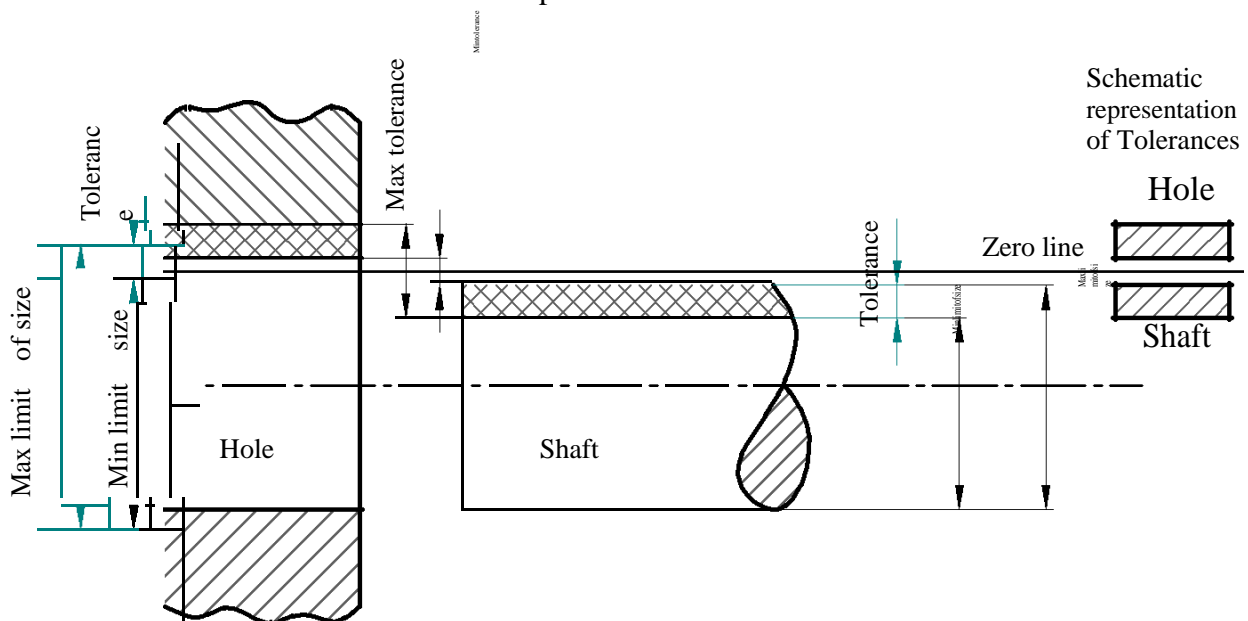
Terminology of limit systems:

Limits of size: The two extreme permissible sizes of a component between which the actual size should lie including the maximum and minimum sizes of the component.

Nominal size: It is the size of the component by which it is referred to as a matter of convenience.

Basic size: It is the size of a part in relation to which all limits of variation are determined.

Zero Line: It is the line w.r.t which the positions of tolerance zones are shown.



Deviation: It is the algebraic difference between a limit of size and the corresponding basic size.

Upper Deviation: It is the algebraic difference between the maximum limit of size and the corresponding basic size. It is denoted by letters '**ES**' for a hole and '**es**' for a shaft.

Lower Deviation: It is the algebraic difference between the minimum limit of size and the corresponding basic size. It is denoted by letters '**EI**' for a hole and '**ei**' for a shaft.

Fundamental Deviation: It is the deviation, either upper or lower deviation, which is nearest to the zero line for either a hole or a shaft. It fixes the position of the tolerance zone in relation to the zero line.

Allowance: It is the intentional difference between the hole dimensions and shaft dimension for any type of fit.

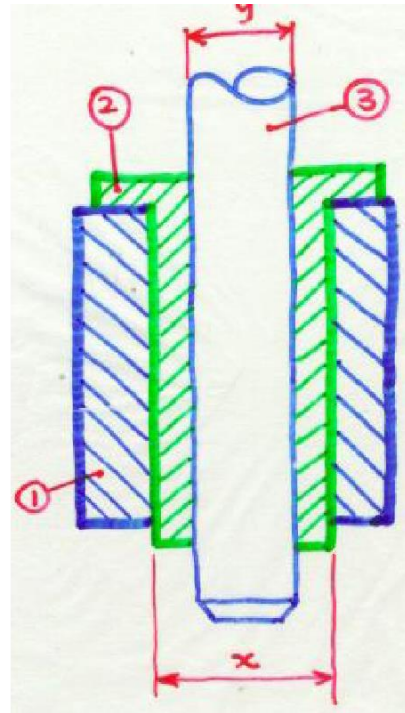
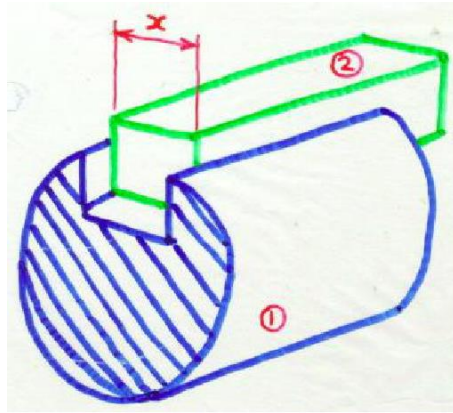
Size of tolerance: It is the difference between the maximum and minimum limits of size.

SYSTEM OF FITS

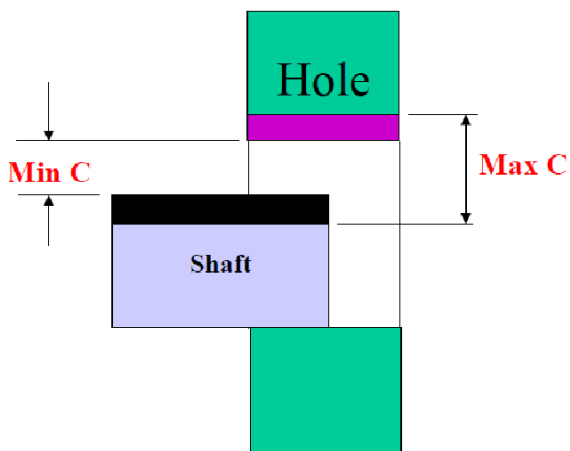
Fit is an assembly condition between 'Hole' & 'Shaft'

Hole: A feature engulfing a component.

Shaft: A feature being engulfed by a component.



Clearance fit: In this type of fit, the largest permitted shaft diameter is less than the smallest hole diameter so that the shaft can rotate or slide according to the purpose of the assembly.



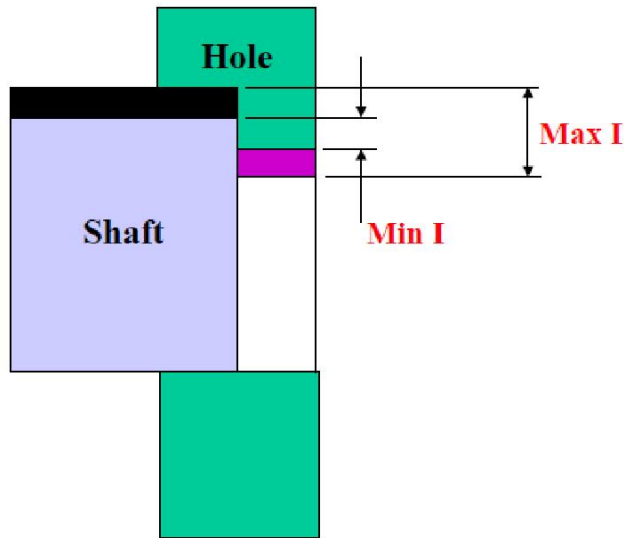
**Tolerance zones
never meet**

Max. C = UL of hole - LL of shaft

Min. C = LL of hole - UL of shaft

Interference Fit:

It is defined as the fit established when a negative clearance exists between the sizes of holes and the shaft. In this type of fit, the minimum permitted diameter of the shaft is larger than the maximum allowable diameter of the hole. In case of this type of fit, the members are intended to be permanently attached. *Ex:* Bearing bushes, Keys & key ways



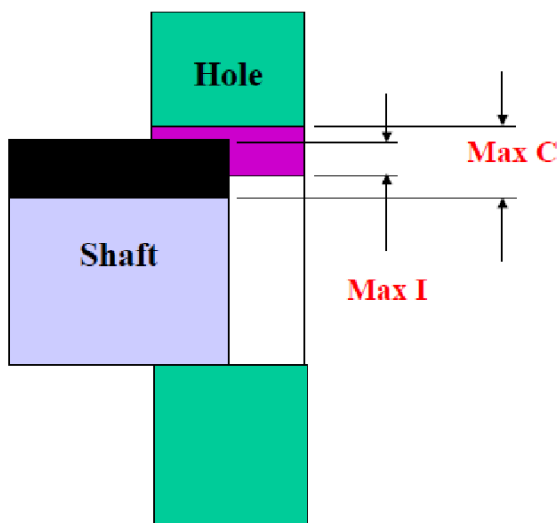
Tolerance zones never meet but crosses each other

$$\text{Max. I} = \text{LL of hole} - \text{UL of shaft}$$

$$\text{Min. I} = \text{UL of hole} - \text{LL of shaft}$$

Transition Fit: In this type of fit, the diameter of the largest allowable hole is greater than the smallest shaft, but the smallest hole is smaller than the largest shaft, such that a small positive or negative clearance exists between the shaft & hole.

Ex: Coupling rings, Spigot in mating holes, etc.



Tolerance zones always overlap

$$\text{Max. C} = \text{UL of hole} - \text{LL of shaft}$$

$$\text{Max. I} = \text{LL of hole} - \text{UL of shaft}$$

Interchangeability:

Interchangeability occurs when one part in an assembly can be substituted for a similar part which has been made to the same drawing. Interchangeability is possible only when certain standards are strictly followed.

Universal interchangeability means the parts to be assembled are from two different manufacturing sources.

Local interchangeability means all the parts to be assembled are made in the same manufacturing unit.

Selective Assembly:

In selective assembly, the parts are graded according to the size and only matched grades of mating parts are assembled. This technique is most suitable where close fit of two components assembled is required.

Selective assembly provides complete protection against non-conforming assemblies and reduces machining costs as close tolerances can be maintained.

Suppose some parts (shafts & holes) are manufactured to a tolerance of 0.01 mm, then an automatic gauge can separate them into ten different groups of 0.001 mm limit for selective assembly of the individual parts. Thus high quality and low cost can be achieved.

Selective assembly is used in aircraft, automobile industries where tolerances are very narrow and not possible to manufacture at reasonable costs.

Geometrical Tolerances:

It is necessary to specify and control the geometric features of a component, such as straightness, flatness, roundness, etc. in addition to linear dimensions. Geometric tolerance is concerned with the accuracy of relationship of one component to another and should be specified separately.

Geometrical tolerance may be defined as the maximum possible variation of *form*, or *position of form* or *position of a feature*.

Geometric tolerances define the shape of a feature as opposed to its size. There are three basic types of geometric tolerances:

Form tolerances:

Straightness, flatness, roundness, cylindricity


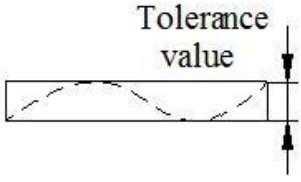
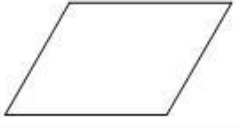

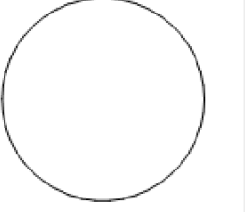
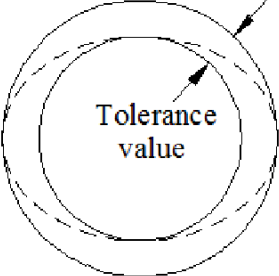
Orientation tolerances:

Perpendicularity, parallelism, angularity

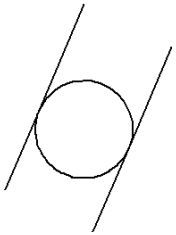
Position tolerances:

Position, symmetry, concentricity

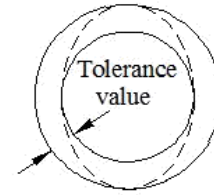
FORM TOLERANCES

Characteristic or symbol	Function of geometric tolerance	Tolerance zone	Typical example
<p>Straightness</p> 	<p>To control the straightness of the line on a surface.</p>	<p>Area between two parallel straight lines in the plane containing the considered line or axis, Tolerance value is the distance between them.</p>	
<p>Flatness</p> 	<p>To control the flatness of a surface.</p>	<p>Area between two planes. Tolerance value is the distance between them.</p>	
<p>Roundness</p> 	<p>To control the errors of roundness of a circle in the plane in which it lies.</p>	<p>Area between two concentric circles. Tolerance value is the radial distance between them.</p>	

Cylindricity



To control Annular space combination of between two roundness, cylinders that are straightness, and co axial. parallelism of a Tolerance value is cylindrical the radial distance surface. between them.



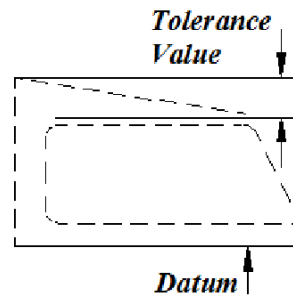
ORIENTATION TOLERANCES

Parallelism



To control the parallelism of a line or surface w.r.t some datum.

Area between two parallel lines or space between two parallel lines which are parallel to the datum

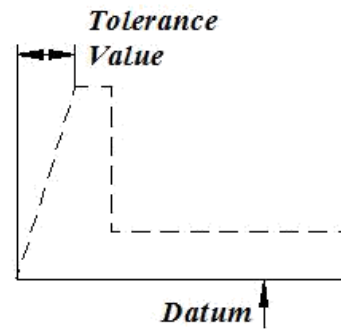


Squareness

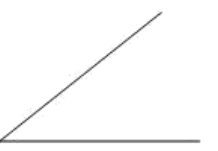


To control the perpendicularity of a line or surface w.r.t a datum.

Area between two parallel lines or space between two parallel lines which are perpendicular to the datum.

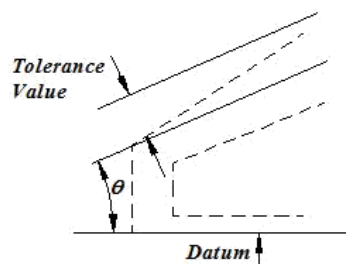


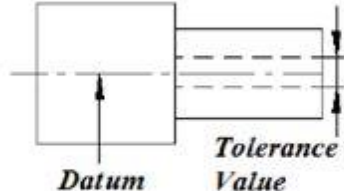
Angularity



To control the inclination of a line or surface w.r.t a datum.

Area between two parallel lines or space between two parallel lines which are inclined at a specified angle to the datum.

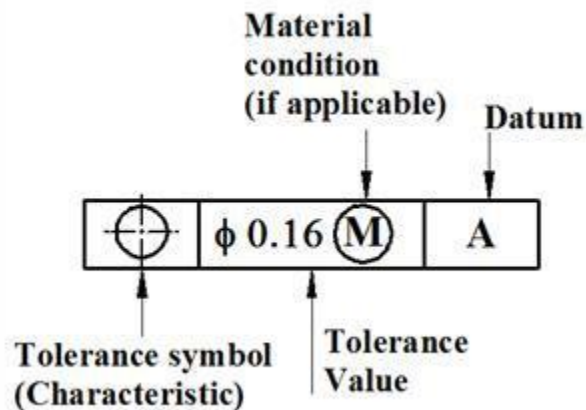


POSITIONAL TOLERANCES			
Concentricity	To control the deviation of the position of the center or axis of the tolerated circles or cylinders.	Center or axis to lie within the circle or cylinder. Tolerance value is the diameter of such a circle or cylinder.	

Feature Control Frame:

A geometric tolerance is prescribed using a feature control frame. It has three components:

- The tolerance symbol,
- The tolerance value,
- The datum labels for the reference frame.



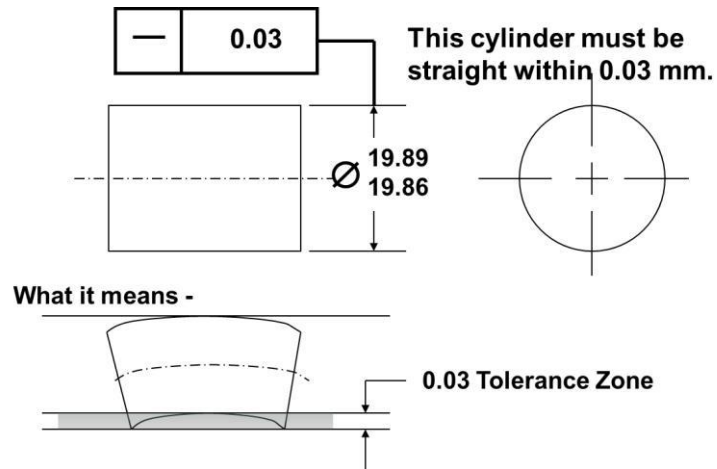
Material Conditions:

Maximum Material Condition (MMC): The condition in which a feature contains the maximum amount of material within the stated limits. e.g. minimum hole diameter, maximum shaft diameter.

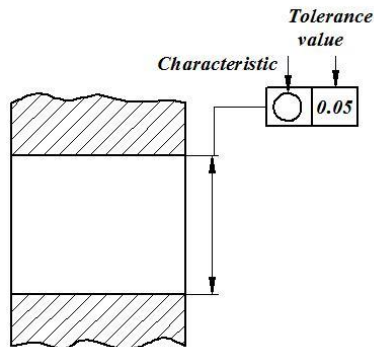
Least Material Condition (LMC): The condition in which a feature contains the least amount of material within the stated limits. e.g. maximum hole diameter, minimum shaft diameter.

Regardless of Feature Size (RFS): This is the default condition for all geometric tolerances.

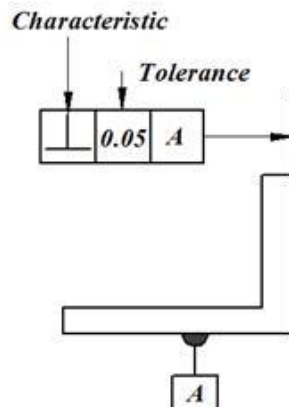
Example: STRAIGHTNESS



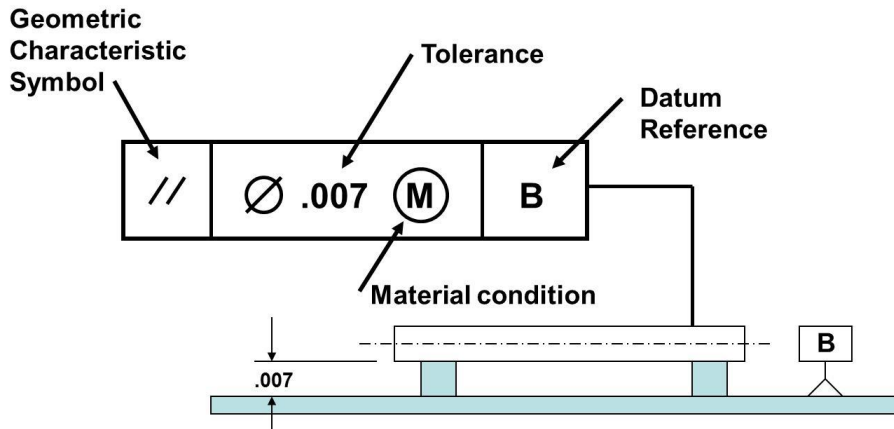
ROUNDNESS:



SQUARENESS:

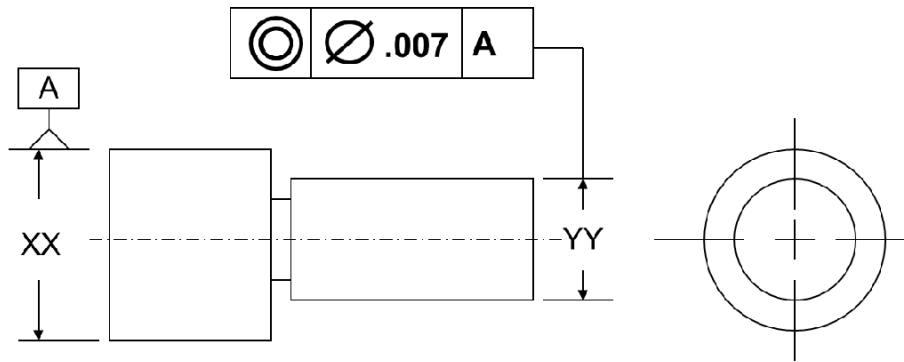


PARALLELISM:

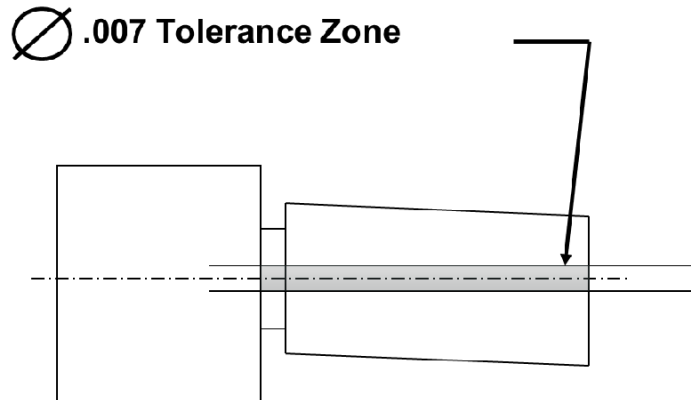


This feature must be parallel to Datum B within .007 at MMC (largest cylinder) as measured on the diameter

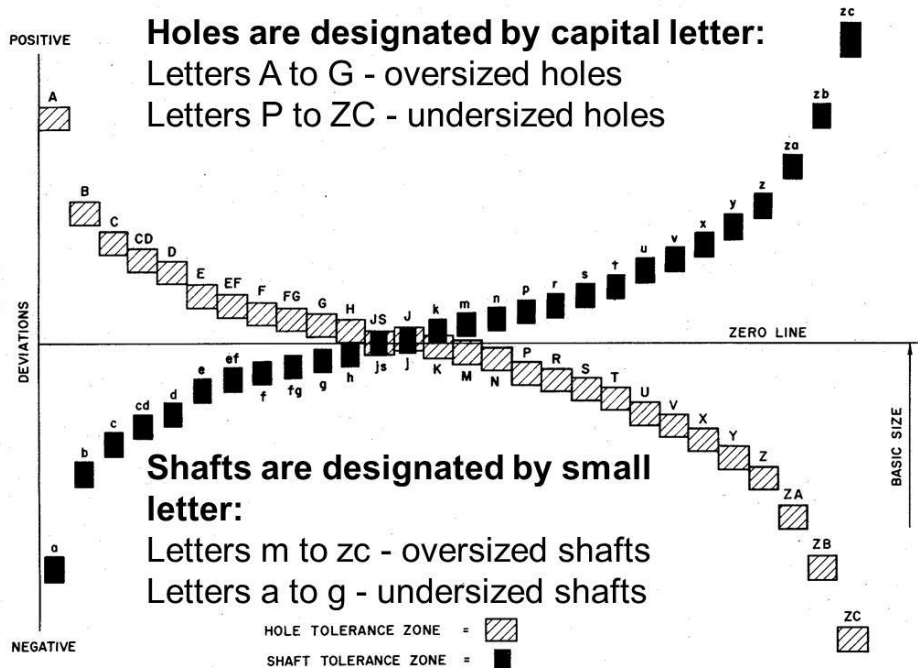
CONCENTRICITY:



This cylinder (the right cylinder) must be concentric within .007 with the Datum A (the left cylinder) as measured on the diameter



IS 919-1965 SYSTEM OF TOLERANCES



'H' is used for holes and 'h' is used for shafts whose fundamental deviation is zero.

Terms & symbols used:

Basic shaft: It is a shaft whose upper deviation is zero. i.e. the maximum limit of shaft coincides with the nominal size.(zero line). *Eg:* shaft 'h'

Basic hole: It is a hole whose lower deviation is zero. i.e. the minimum limit of hole coincides with the nominal size.(zero line). *Eg:* shaft 'H'

Exp: 2 STUDY OF FUNDAMENTAL CALCULATIONS OF SHAFT DEVIATIONS

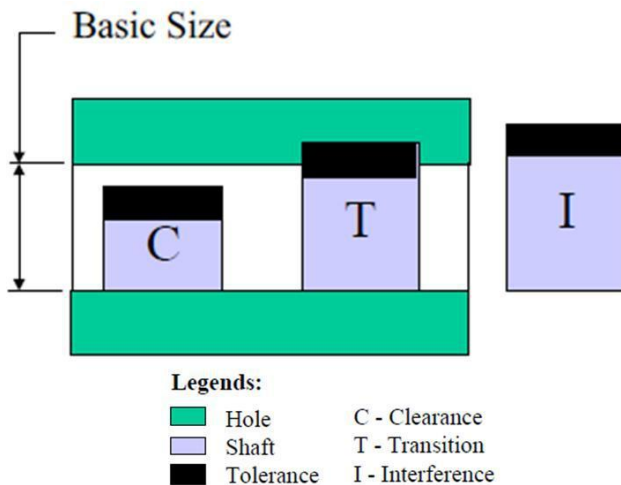
Basis of Fits

Hole Basis: In this system, the basic diameter of the hole is constant while the shaft size is varied according to the type of fit.

Significance of Hole basis system: The bureau of Indian Standards (BIS) recommends both hole basis and shaft basis systems, but their selection depends on the production methods. Generally, holes are produced by drilling, boring, reaming, broaching, etc. whereas shafts are either turned or ground.

If the shaft basis system is used to specify the limit dimensions to obtain various types of fits, number of holes of different sizes are required, which in turn requires tools of different sizes.

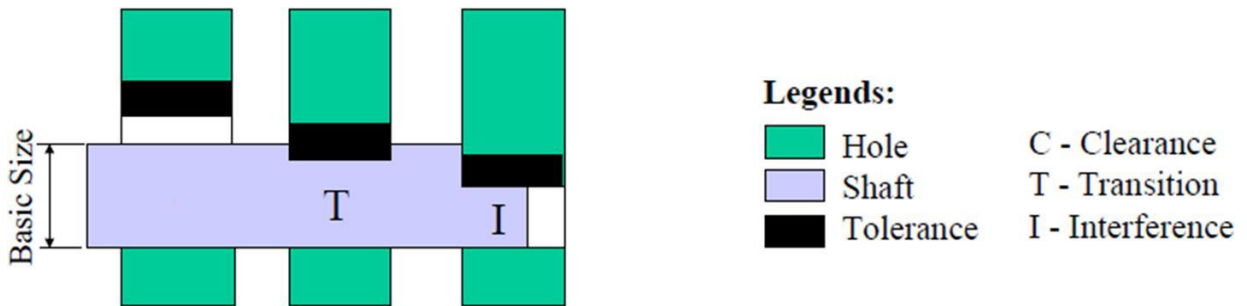
HOLE BASIS SYSTEM OF FITS



If the hole basis system is used, there will be reduction in production costs as only one tool is required to produce the hole and the shaft can be easily machined to any desired size. Hence hole basis system is preferred over shaft basis system.

Shaft Basis system:

In this system, the basic diameter of the shaft is constant while the hole size is varied according to the type of fit.



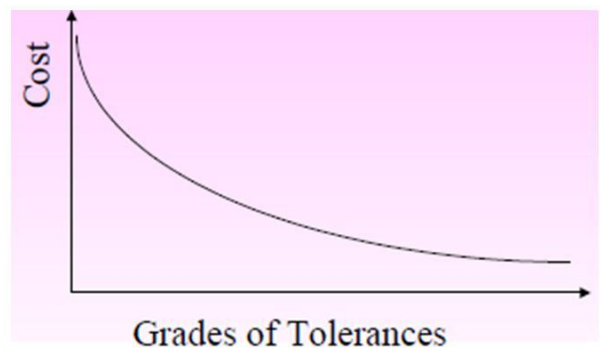
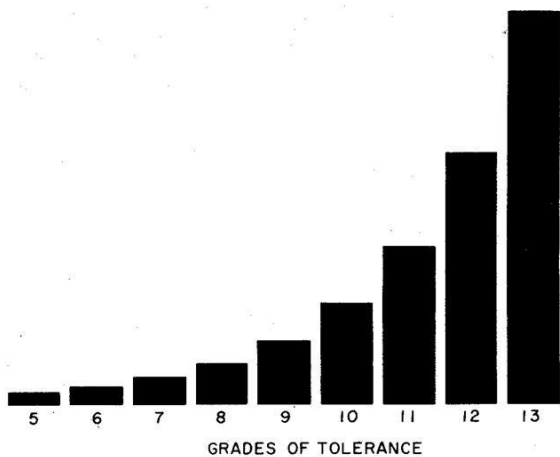
It may, however, be necessary to use shaft basis system where different fits are required along a long shaft.

For example, in the case of driving shafts where a single shaft may have to accommodate to a variety of accessories such as couplings, bearings, collars, etc., it is preferable to maintain a constant diameter for the permanent member, which is the shaft, and vary the bore of the accessories.

GRADES OF TOLERANCES

Grade is a measure of the magnitude of the tolerance. Lower the grade the finer the tolerance. There are total of 18 grades which are allocated the numbers IT01, IT0, IT1, IT2..... IT16.

Fine grades are referred to by the first few numbers. As the numbers get larger, so the tolerance zone becomes progressively wider. Selection of grade should depend on the circumstances. As the grades get finer, the cost of production increases at a sharper rate.



TOLERANCE GRADE

The tolerance grades may be numerically determined in terms of the standard tolerance unit '*i*' where *i* in microns is given by $i = \sqrt[3]{D}$ (for basic size upto and including 500 mm) and $i = \sqrt[3]{D/2}$ (for basic size above 500 mm upto and including 3150 mm), where D is in mm and it is the geometric mean of the lower and upper diameters of a particular step in which the component lies.

The above formula is empirical and is based on the fact that the tolerance varies more or less parabolically in terms of diameter for the same manufacturing conditions. This is so because manufacture and measurement of higher sizes are relatively difficult. The various diameter steps specified by ISI are:

1-3, 3-6, 6-10, 10-18, 18-30, 30-50, 50-80, 80-120, 180-250, 250-315, 315-400, and 400-500 mm. The value of 'D' is taken as the geometric mean for a particular range of size to avoid continuous variation of tolerance with size.

The fundamental deviation of type d,e,f,g shafts are respectively $-16D^{0.44}$, $-11D^{0.41}$, $-5.5D^{0.41}$ & $-2.5D^{0.34}$

The fundamental deviation of type D,E,F,G shafts are respectively $+16D^{0.44}$, $+11D^{0.41}$, $+5.5D^{0.41}$ & $+2.5D^{0.34}$.

The relative magnitude of each grade is shown in the table below;

Tol. Grade	IT 5	IT 6	IT 7	IT 8	IT 9	IT 10	IT 11	IT 12	IT 13	IT 14	IT 15	IT 16
	<i>7i</i>	<i>10i</i>	<i>16i</i>	<i>25 i</i>	<i>40 i</i>	<i>64 i</i>	<i>100 i</i>	<i>160 i</i>	<i>250 i</i>	<i>400 i</i>	<i>640 i</i>	<i>1000 i</i>

It may be noted that from IT 6 onwards, every 5th step is 10 times the respective grade.

i.e. IT 11=10xIT6=10x10i=100 i, IT12=10xIT7=10x16i=160 i, etc.

Numerical Problem 1:

Calculate the limits of tolerance and allowance for a 25 mm shaft and hole pair designated by H8d9. Take the fundamental deviation for 'd' shaft is $-16D^{0.44}$.

Solution:

The given size of 25 mm lies in the standard diameter step of 18-30 mm.

$$\therefore D = \sqrt{18 \times 30} = \mathbf{23.238 \text{ mm}}$$

$$\text{The value of fundamental tolerance unit } i = 0.45 \sqrt[3]{D} + 0.001D$$

$$\text{microns } i.e. \sqrt[3]{i} = 0.45 \sqrt[3]{23.238} + 0.001(23.238) = \mathbf{1.307 \mu}$$

For a hole of quality 8, (i.e. IT 8) the standard tolerance value is =25 i

$$\therefore \text{Tolerance } 25 \times 1.307 = \mathbf{33 \mu}$$

For the H hole, the fundamental deviation is zero.

Hence, the hole limits are 25 mm and $(25+0.033)=25.033$ mm

∴ Hence, tolerance on the hole = $(25.033 - 25) = 0.033$ mm

For quality 9 shaft, tolerance = $IT_9 = 40i = 40 \times 1.307 = 52\mu = 0.052$

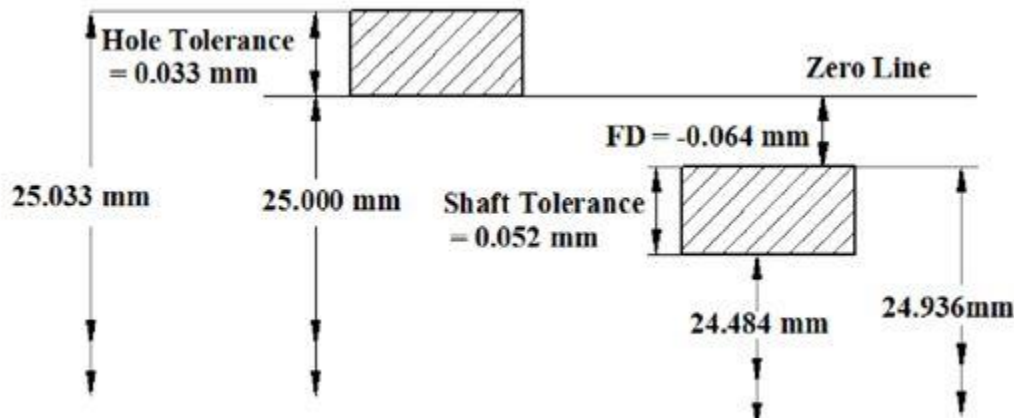
mm For d shaft the fundamental deviation is $-16D^{0.44}$

$= -16D^{0.44} = -16(23.238)^{0.44} = -64\mu = 0.064$ mm

∴ The shaft limits are $(25 - 0.064) = 24.936$ mm and

$25 - (0.064 + 0.052) = 24.884$ mm

∴ Tolerance on the shaft = $UL-LL = (24.936 - 24.884) = 0.052$ mm



Numerical Problem 2

Determine the tolerances on the hole and the shaft for a precision running fit designated by 50 H7g6, given;

50 mm lies between 30-50 mm

i (in microns) $= 0.45(D)^{1/3} + 0.001D$

Fundamental deviation for 'H' hole = 0

Fundamental deviation for g shaft $= -2.5D^{0.34}$

$IT_7 = 16i$ and $IT_6 = 10i$

State the actual maximum and minimum sizes of the hole and shaft and maximum and minimum clearances.

Solution:

The given size of 50 mm lies in the diameter step of 30-50 mm.

∴ $D = \sqrt{30 \times 50} = 38.7$ mm

The value of fundamental tolerance unit $i = 0.45\sqrt[3]{D} + 0.001D$

microns $i.e. \sqrt[3]{i} = 0.45\sqrt[3]{38.7} + 0.001(38.7) = 1.56\mu$

For a hole of quality 7, (i.e. IT 7) the standard tolerance

value is $=16 i \therefore$ Tolerance $16 \times 1.56 = 25\mu = 0.025 \text{ mm}$

For the H hole, the fundamental deviation is zero.

Hence, the hole limits are 50 mm and $(50+0.025)=50.025 \text{ mm}$ (Or $50^{+0.025}_{0.000} \text{ mm}$)

\therefore Hence, tolerance on the hole $= (50.025 - 50) = 0.025 \text{ mm}$

For quality 6 shaft, tolerance $= IT_6 = 10i = 10 \times 1.56 = 15.6 \mu = 0.0156$

mm For g shaft the fundamental deviation is $-2.5D^{0.34}$

$= -2.5(38.7)^{0.34} = -8.664\mu = 0.009 \text{ mm}$

\therefore The shaft limits are $(50 - 0.009) = 49.991 \text{ mm}$

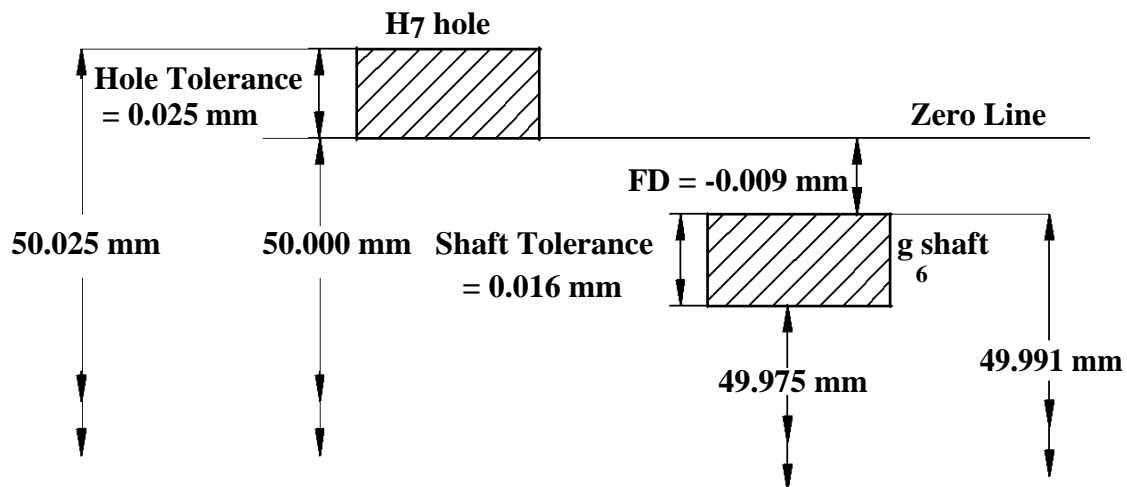
and $50 - (0.009 + 0.016) = 49.975 \text{ mm}$ (Or $50^{-0.009}_{-0.025} \text{ mm}$)

Actual maximum and minimum size of hole is 50.025 mm

and 50.000 mm, and for shaft is 49.991 mm and 49.975 mm.

Maximum clearance $=$ UL of hole $-$ LL of shaft $= (50.025-49.975)=0.05 \text{ mm}$

Minimum clearance $=$ LL of hole $-$ UL of shaft $= (50.000-49.975)=0.009 \text{ mm}$



Numerical Problem 3:

Calculate all the relevant dimensions of 35H7/f8 fit, dimension 35 mm falls in the step of 30-50 mm. The fundamental deviation for f shaft is $-5.5D^{0.41}$. i (in microns) $=0.45(D)^{1/3}+0.001D$, $IT7=16i$ and $IT8=25i$.

Solution:

The given size of 35 mm lies in the diameter step of 30-50 mm.

$$\therefore D = \sqrt[3]{30 \times 50} = 38.7 \text{ mm}$$

The value of fundamental tolerance unit $i = 0.45\sqrt[3]{D} + 0.001D$

$$\text{microns } i.e. \sqrt[3]{i} = 0.45\sqrt[3]{38.7} + 0.001(38.7) = 1.56\mu$$

For a hole of quality 7, (i.e. IT 7) the standard tolerance

$$\text{value is } = 16 i \therefore \text{Tolerance } 16 \times 1.56 = 25\mu = 0.025 \text{ mm}$$

For the H hole, the fundamental deviation (FD) is zero.

Hence, the hole limits are 35 mm and $(35+0.025)=35.025 \text{ mm}$ (Or $35^{+0.025}_{-0.000} \text{ mm}$)

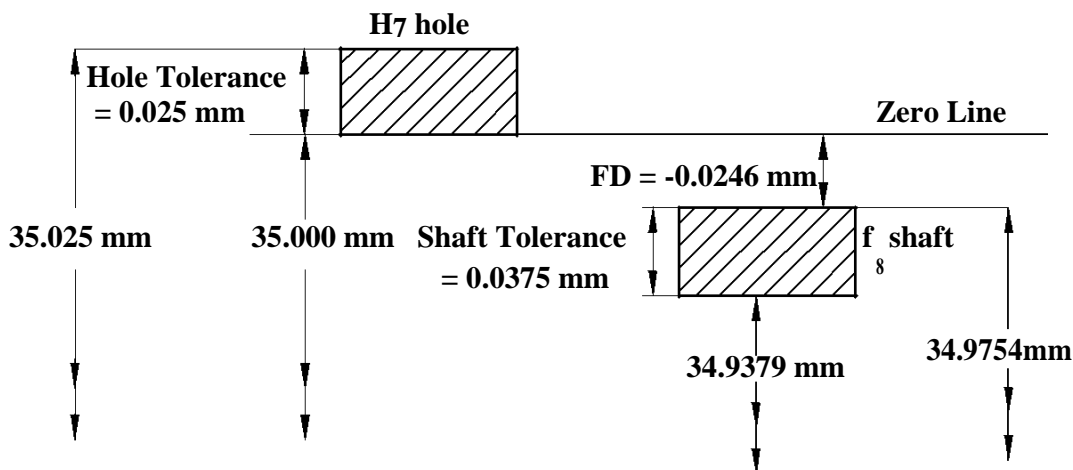
$$\therefore \text{Hence, tolerance on the hole} = (35.025 - 35) = 0.025 \text{ mm}$$

For quality 8 shaft, tolerance = $IT8=16i=16 \times 1.56=25 \mu = 0.025 \text{ mm}$

For g shaft the FD is $-5.5D^{0.41} = -5.5(38.7)^{0.41} = -24.63\mu = 0.025 \text{ mm}$

$$\therefore \text{The shaft limits are } (35 - 0.0246) = 34.9754 \text{ mm}$$

$$\text{and } 35 - (0.0246 + 0.0375) = 34.9379 \text{ mm (Or } 35^{-0.0246}_{0.0621} \text{ mm)}$$



Exp:3 SKETCHING THE NECESSARY VIEWS OF FAST AND LOOSE PULLEYS

Aim:

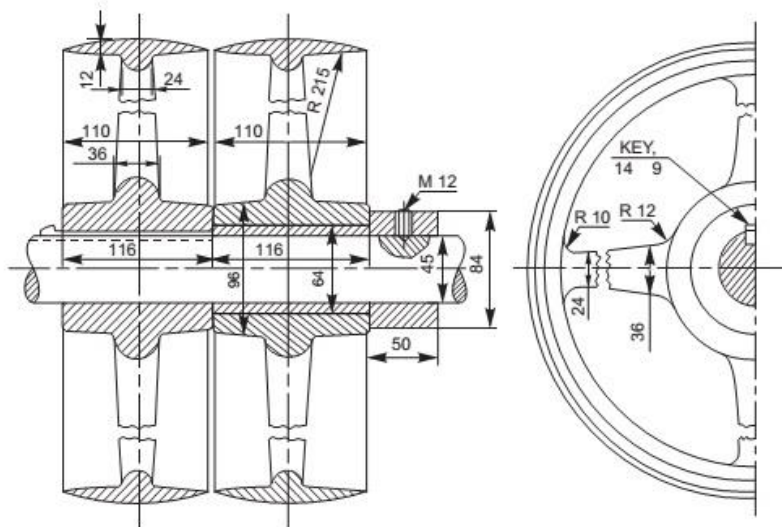
- To create 2D model of FAST AND LOOSE PULLEY part using PRO-E CREO.
- To create the assembly of fast and loose pulleys using PRO-E CREO.
- To understand the type of fits and tolerance used in the Assembly.

Procedure:

- The drawing of FAST AND LOOSE PULLEY parts (shafts, pulley, and key) is studied.
- 2D models of all the parts are created as per the drawing specification.
- The Assembly of Fast and Loose Pulleys was created as per the drawing specification.

Command Tool Bar Used :

Advanced Selection, Advanced Datum Features , Advanced Sketching, Advanced Hole Creation, Advanced Drafts and Ribs , Advanced Shells, Advanced Rounds and Chamfers, Relations and Parameters ,Advanced Blends , Sweeps with Variable Sections, Helical Sweeps Swept Blends, Advanced Layers, Advanced Reference Management , Family Tables, Reusing Features Advanced Copy , Advanced Patterns



Fast and loose Pulleys

Result:

The 2D Models of **Fast and Loose Pulleys** parts (Shaft, pulley, Key) are created using PRO-E CREO. The type of fits and tolerance used in Assembly are studied.

Exp:4

SKETCHING THE NECESSARY VIEWS OF V-BELT PULLEYS

Aim:

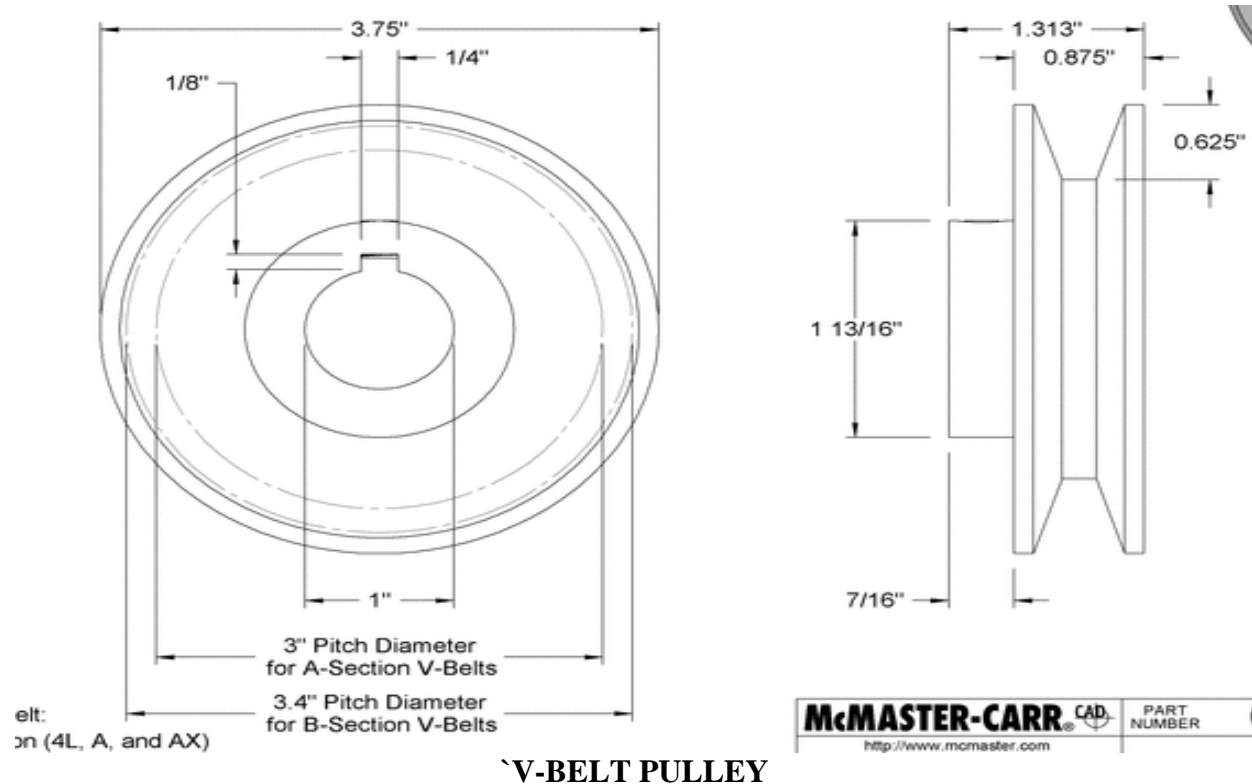
- To create 2D model of **V-BELT PULLEY** part using PRO-E CREO.
- To create the assembly of V-BELT PULLEY using PRO-E CREO.
- To understand the type of fits and tolerance used in the Assembly.

Procedure:

- The drawing of V-BELT PULLEY parts (Shaft, pulley) are studied.
- 2D models of all the parts are created as per the drawing specification.
- The Assembly of V-BELT PULLEY was created as per the drawing specification.

Command Tool Bar Used:

Advanced Selection, Advanced Datum Features , Advanced Sketching, Advanced Hole Creation, Advanced Drafts and Ribs , Advanced Shells, Advanced Rounds and Chamfers, Relations and Parameters ,Advanced Blends , Sweeps with Variable Sections, Helical Sweeps Swept Blends, Advanced Layers, Advanced Reference Management , Family Tables, Reusing Features Advanced Copy , Advanced Patterns



Result:

The 2D Models of **V-BELT PULLEY** parts (Shaft, pulley) are created using PRO-E CREO. The type of fits and tolerance used in Assembly are studied.

Exp:5 SKETCHING THE NECESSARY VIEWS OF BEVEL GEARS

Aim:

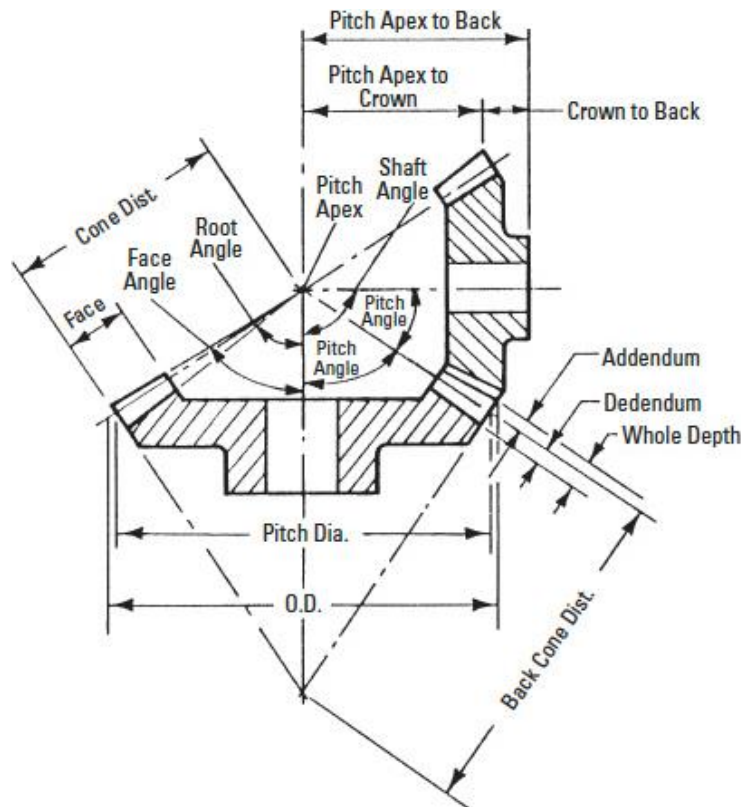
- To create 2D model of **BEVEL GEAR** part using PRO-E CREO.
- To create the assembly of BEVEL GEAR using PRO-E CREO.
- To understand the type of fits and tolerance used in the Assembly.

Procedure:

- The drawing of BEVEL GEAR parts (Shaft, pulley) are studied.
- 2D models of all the parts are created as per the drawing specification.
- The Assembly of BEVEL GEAR was created as per the drawing specification.

Command Tool Bar Used:

Advanced Selection, Advanced Datum Features, Advanced Sketching, Advanced Hole Creation, Advanced Drafts and Ribs, Advanced Shells, Advanced Rounds and Chamfers, Relations and Parameters, Advanced Blends, Sweeps with Variable Sections, Helical Sweeps Swept Blends, Advanced Layers, Advanced Reference Management, Family Tables, Reusing Features Advanced Copy, Advanced Patterns



Bevel Gear

Result:

The 2D Models of **BEVEL GEAR** parts (Shaft, pulley) are created using PRO-E CREO. The type of fits and tolerance used in Assembly are studied.

Exp:6

SKETCHING THE NECESSARY VIEWS OF WORM GEAR

Aim:

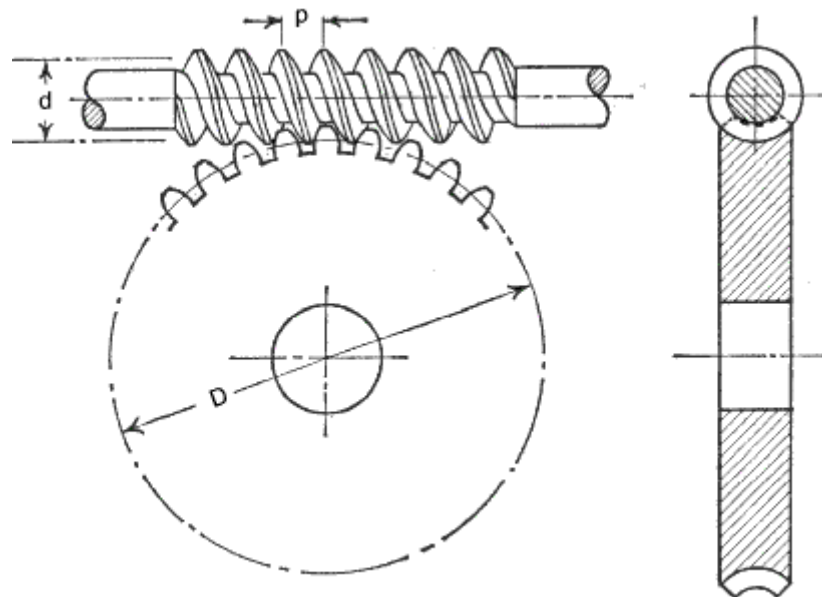
- To create 2D model of **WORM GEAR** part using PRO-E CREO.
- To create the assembly of WORM GEAR using PRO-E CREO.
- To understand the type of fits and tolerance used in the Assembly.

Procedure:

- The drawing of WORM GEAR parts (groove, thread) are studied and drawn.
- 2D models of all the parts are created as per the drawing specification.
- The assembly of WORM GEAR was created as per the drawing specification.

Command Tool Bar Used:

Advanced Selection, Advanced Datum Features , Advanced Sketching, Advanced Hole Creation, Advanced Drafts and Ribs , Advanced Shells, Advanced Rounds and Chamfers, Relations and Parameters ,Advanced Blends , Sweeps with Variable Sections, Helical Sweeps Swept Blends, Advanced Layers, Advanced Reference Management , Family Tables, Reusing Features Advanced Copy , Advanced Patterns



Worm Gear

Result:

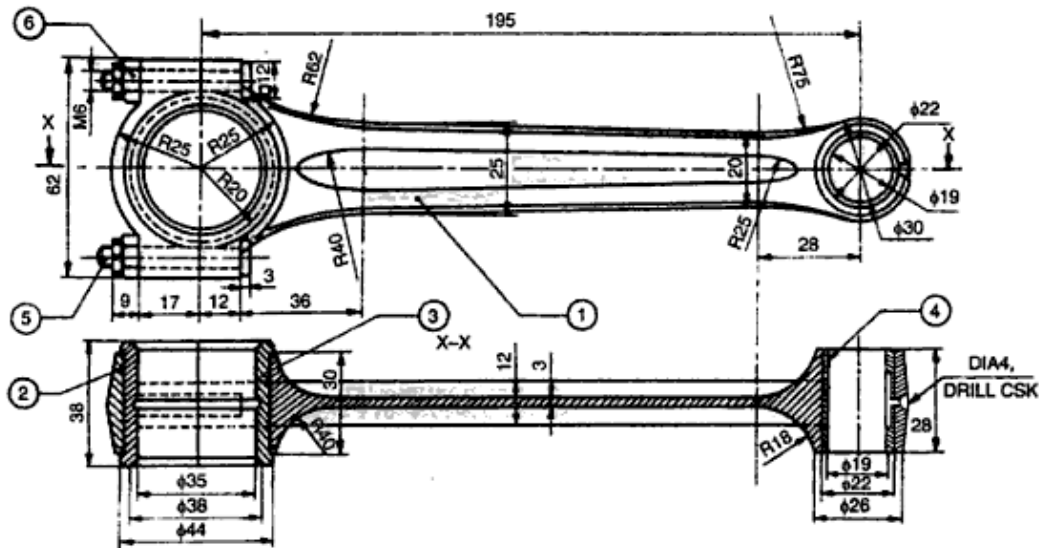
The 2D Models of **WORM GEAR** parts are created using PRO-E CREO. The type of fits and tolerance used in Assembly are studied.

EXP: 7

**PART MODELLING AND ASSEMBLY OF STEAM ENGINE
CONNECTING ROD END**

Aim:

- To create 3D model of steam engine connecting rod part using PRO-E CREO..
- To create the assembly of steam engine connecting rod using PRO-E CREO..
- To understand the type of fits and tolerance used in the Assembly.



Parts list

Part No.	Name	Matl.	Qty.
1	Rod	FS	1
2	Cap	FS	1
3	Bearing brass	GM	2
4	Bearing bush	P Bronze	1
5	Bolt	MCS	2
6	Nut	MCS	2

Procedure:

- The parts of the connecting rod's dimensions and arrangements were primarily studied and the 3D model was designed by using PRO-E CREO SOFTWARE.
- After designing, the parts were to be checked without any errors
- The parts were designed individually as per the required dimensions.
- The designed parts were assembled according to the assembly drawing.

Command Tool Bar Used:

Advanced Selection, Advanced Datum Features , Advanced Sketching, Advanced Hole Creation, Advanced Drafts and Ribs , Advanced Shells, Advanced Rounds and Chamfers, Relations and Parameters ,Advanced Blends , Sweeps with Variable Sections, Helical Sweeps Swept Blends, Advanced Layers, Advanced Reference Management , Family Tables, Reusing Features Advanced Copy , Advanced Patterns

Result:

The 3 D Models of steam engine connecting rod is created using PRO-E CREO and assembled according to the drawing.

Exp: 8 PART MODELLING AND ASSEMBLY OF ROTARY GEAR PUMP

Aim:

- To create 3D model of rotary gear pump parts using PRO-E CREO.
- To create the assembly of rotary gear pump by using PRO-E CREO.
- To understand the type of fits and tolerance used in the Assembly.

Procedure:

- The parts of the rotary gear pump's dimensions and arrangements were primarily studied and the 3D model was designed by using PRO-E CREO SOFTWARE.
- After designing, the parts were to be checked without any errors
- The parts were designed individually as per the required dimensions.
- The designed parts were assembled according to the assembly drawing.

Command Tool Bar Used:

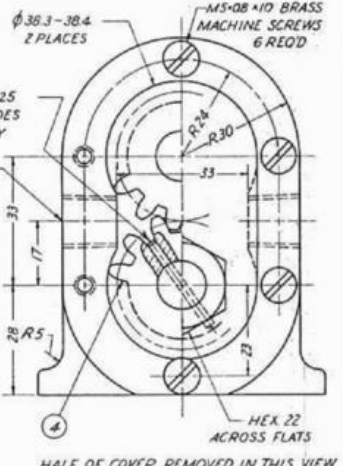
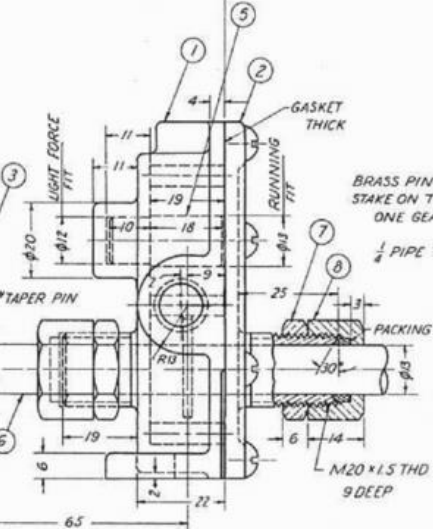
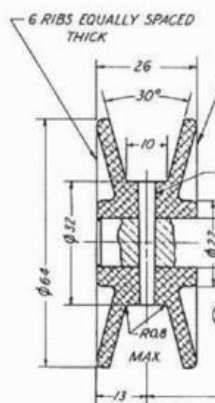
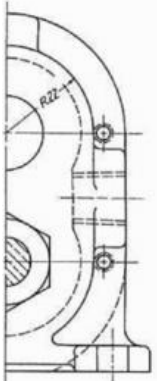
Advanced Selection, Advanced Datum Features , Advanced Sketching, Advanced Hole Creation, Advanced Drafts and Ribs , Advanced Shells, Advanced Rounds and Chamfers, Relations and Parameters ,Advanced Blends , Sweeps with Variable Sections, Helical Sweeps Swept Blends, Advanced Layers, Advanced Reference Management , Family Tables, Reusing Features Advanced Copy , Advanced Patterns

PC	NAME	NO	MAT'L
1	HOUSING	1	C.BRO.
2	HOUSING COVER	1	C.BRO.
3	PULLEY	1	ALUM.
4	GEAR	2	BRO.
5	GEAR STUD	1	BRASS
6	SHAFT	1	BRASS
7	NUT	2	BRO.
8	PACKING NUT	2	BRO.



GEAR DATA

NUMBER OF TEETH (N)	13
DIAMETRAL PITCH (DP)	10
OUTSIDE DIAMETER (OD)	38
PRESSURE ANGLE	14 1/2°



CONCRETE PUMP CAR TYPE SAE A-TYPE-WITHOUT G/P

INVOLUTE SPLINE SAE

N	20
Number of Teeth	14
DIAMETRAL PITCH	29.63
Pitch Diameter	29.63
Module	12/24
Pressure Angle	30°
DP	0.8
Flute Unit Distance	0.8
Manufacturing Pin Size	0.004
Manufacturing Gear Pin	0.004
Material	AMS
Finish	

HYDRAULIC CIRCUIT FOR PRINCIPLE

MAXIMUM FLOW ADJUSTING SCREW

MINIMUM ADJUSTING SCREW

H3V63RSC/H5V80RSC OPERATING SPECIFICATIONS

- MAX. DISPLACEMENT : 63cm³/80cm³
- RATED SPEED : 1800rpm
- MAX WORKING PRESSURE : 35(356)MPa(kgf/cm²)

FLANGE MOUNTING FACE FOR SUCTION PORT SAE-JS18-1 1/2 (CODE E1)

FLANGE MOUNTING FACE FOR DELIVERY PORT SAE-JS18-1 (CODE E2)

MAN DOK HYDRAULIC

Result:

The 3 D Models of rotary gear pump is created using PRO-E CREO and assembled according to the drawing.

Exp:9 PART MODELLING AND ASSEMBLY OF USING FUEL INJECTOR

Aim:

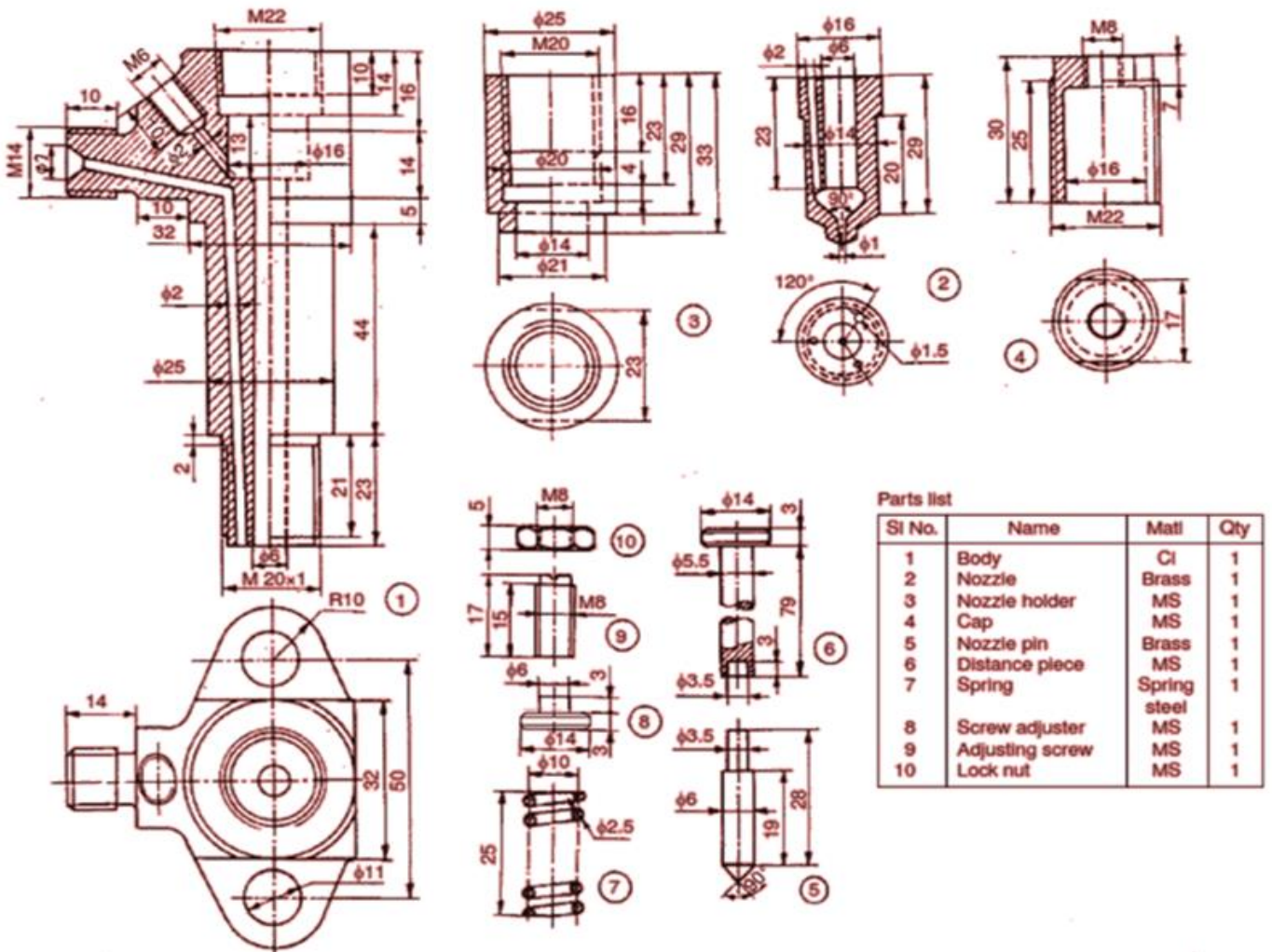
- To create 3D model of Fuel Injector parts using PRO-E CREO.
- To create the assembly of Fuel Injector by using PRO-E CREO.
- To understand the type of fits and tolerance used in the Assembly.

Procedure:

- The parts of the Fuel Injector's dimensions and arrangements were primarily studied and the 3D model was designed by using PRO-E CREO SOFTWARE.
- After designing, the parts were to be checked without any errors
- The parts were designed individually as per the required dimensions.
- The designed parts were assembled according to the assembly drawing.

Command Tool Bar Used:

Advanced Selection, Advanced Datum Features , Advanced Sketching, Advanced Hole Creation, Advanced Drafts and Ribs , Advanced Shells, Advanced Rounds and Chamfers, Relations and Parameters ,Advanced Blends , Sweeps with Variable Sections, Helical Sweeps Swept Blends, Advanced Layers, Advanced Reference Management , Family Tables, Reusing Features Advanced Copy , Advanced Patterns



Result:

The 3 D Models of Fuel Injector is created using PRO-E CREO and assembled according to the drawing.

Exp:10

PART MODELLING AND ASSEMBLY OF TAILSTOCK

Aim:

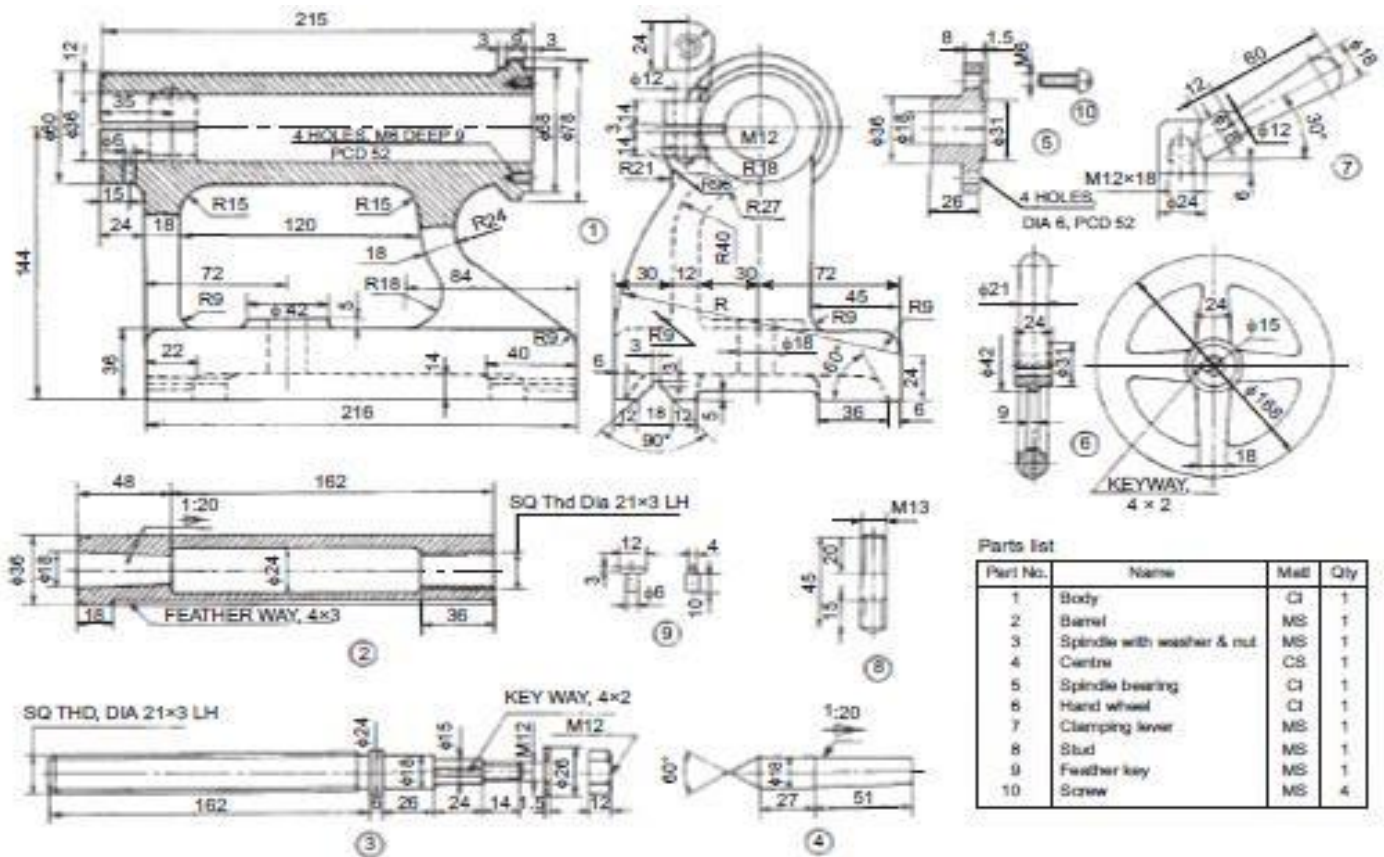
- To create 3D model of Tailstock using PRO-E CREO.
- To create the assembly of Tailstock by using PRO-E CREO.
- To understand the type of fits and tolerance used in the Assembly.

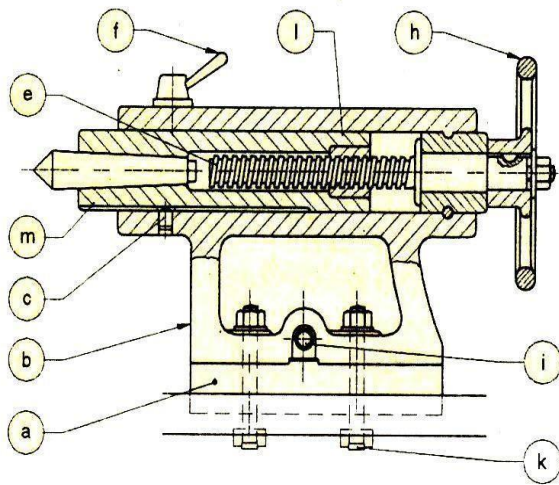
Procedure:

- The parts of the Tailstock 's dimensions and arrangements were primarily studied and the 3D model was designed by using PRO-E CREO SOFTWARE.
- After designing, the parts were to be checked without any errors
- The parts were designed individually as per the required dimensions.
- The designed parts were assembled according to the assembly drawing.

Command Tool Bar Used:

Advanced Selection, Advanced Datum Features , Advanced Sketching, Advanced Hole Creation, Advanced Drafts and Ribs , Advanced Shells, Advanced Rounds and Chamfers, Relations and Parameters ,Advanced Blends , Sweeps with Variable Sections, Helical Sweeps Swept Blends, Advanced Layers, Advanced Reference Management , Family Tables, Reusing Features Advanced Copy , Advanced Patterns





TAILSTOCK ASSEMBLY

Result:

The 3 D Models of Tailstock assembly is created using PRO-E CREO and assembled according to the drawing.

Exp:11 PART MODELLING AND ASSEMBLY OF NON-RETURN VALVE

Aim:

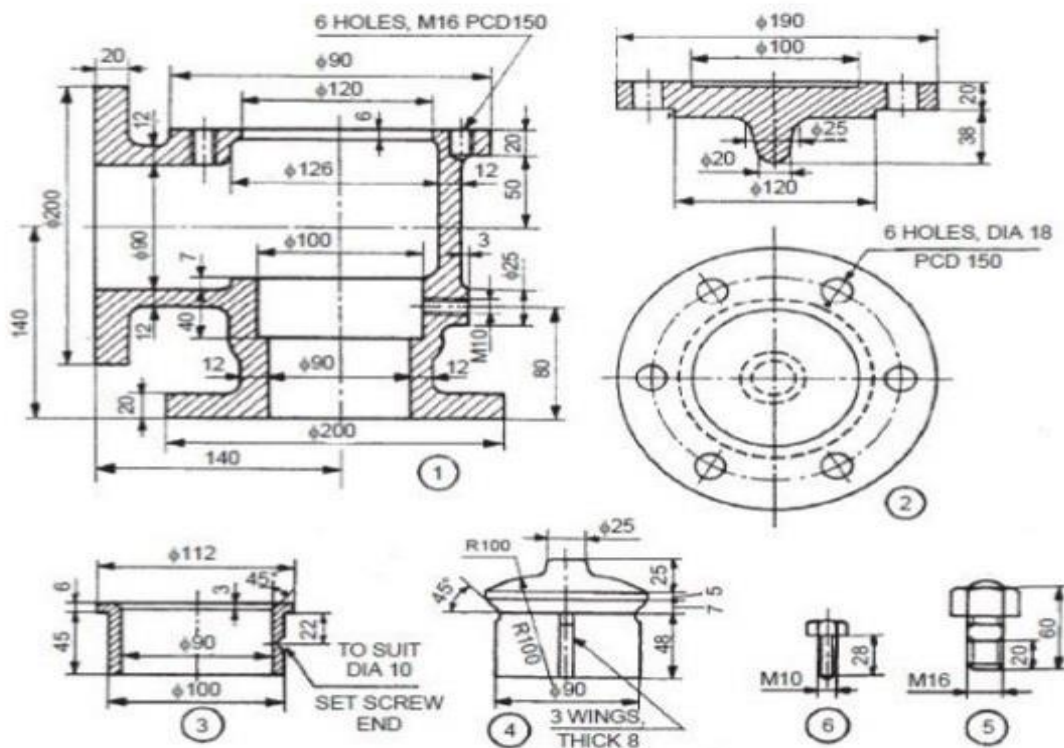
- To create 3D model of Non-return valve PRO-E CREO.
- To create the assembly of Non-return valve by using PRO-E CREO.
- To understand the type of fits and tolerance used in the Assembly.

Procedure:

- The parts of the Non-return valve 's dimensions and arrangements were primarily studied and the 3D model was designed by using PRO-E CREO SOFTWARE.
- After designing, the parts were to be checked without any errors
- The parts were designed individually as per the required dimensions.
- The designed parts were assembled according to the assembly drawing.

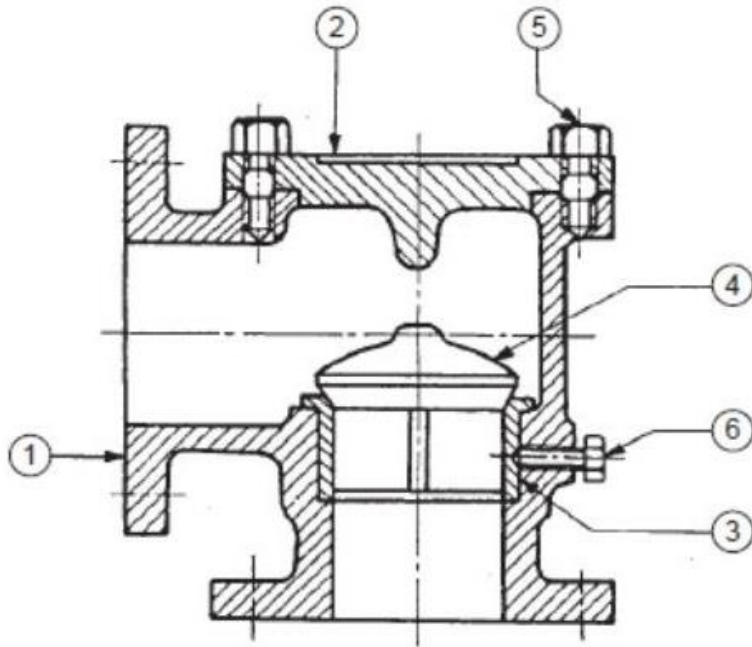
Command Tool Bar Used:

Advanced Selection, Advanced Datum Features , Advanced Sketching, Advanced Hole Creation, Advanced Drafts and Ribs , Advanced Shells, Advanced Rounds and Chamfers, Relations and Parameters ,Advanced Blends , Sweeps with Variable Sections, Helical Sweeps Swept Blends, Advanced Layers, Advanced Reference Management , Family Tables, Reusing Features Advanced Copy , Advanced Patterns



Parts list

No.	Name	Matl	Qty
1	Body	Brass	1
2	Cover	Brass	1
3	Valve seat	Bronze	1
4	Valve	Brass	1
5	Stud with nut	MS	6
6	Set screw	MS	1



NON-RETURN VALVE ASSEMBLY

Result:

The 3 D Models of Non-return valve is created using PRO-E CREO and assembled according to the drawing.

Exp:12 PART MODELLING AND ASSEMBLY OF RAMS BOTTOM SAFETY VALVE

Aim:

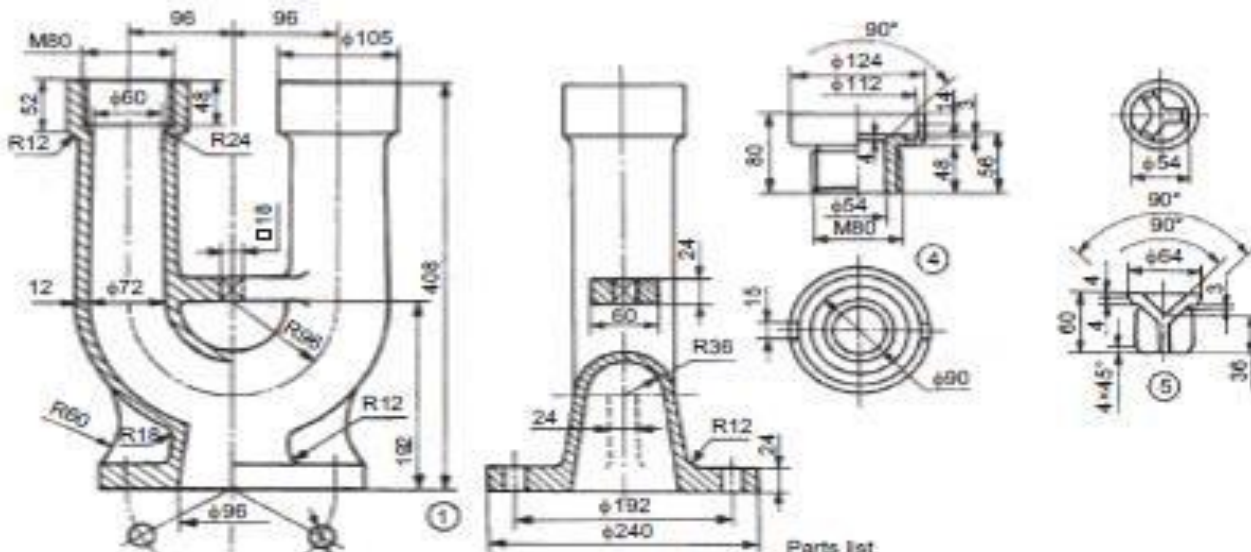
- To create 3D model of Rams Bottom Safety Valve PRO-E CREO.
- To create the assembly of Rams Bottom Safety Valve by using PRO-E CREO.
- To understand the type of fits and tolerance used in the Assembly.

Procedure:

- The parts of the Rams Bottom Safety Valve 's dimensions and arrangements were primarily studied and the 3D model was designed by using PRO-E CREO SOFTWARE.
- After designing, the parts were to be checked without any errors
- The parts were designed individually as per the required dimensions.
- The designed parts were assembled according to the assembly drawing.

Command Tool Bar Used:

Advanced Selection, Advanced Datum Features , Advanced Sketching, Advanced Hole Creation, Advanced Drafts and Ribs , Advanced Shells, Advanced Rounds and Chamfers, Relations and Parameters ,Advanced Blends , Sweeps with Variable Sections, Helical Sweeps Swept Blends, Advanced Layers, Advanced Reference Management , Family Tables, Reusing Features Advanced Copy , Advanced Patterns



Parts list

Part No.	Name	Matl	Qty
1	Housing	CI	1
2	Eye bolt	MS	1
3	Link	MS	2
4	Valve seat	Gunmetal	2
5	Valve	Gunmetal	2
6	Pivot	MS	1
7	Pin	MS	3
8	Split pin	MS	3
9	Lever	MS	1
10	Spring	Spring steel	1
11	Washer	MS	1
12	Lock-nut, M20, 12 Thick	MS	1
13	Nut, M20, 20 Thick	MS	1

Result:

The 3 D Models of Rams Bottom Safety Valve is created using PRO-E CREO and assembled according to the drawing.

